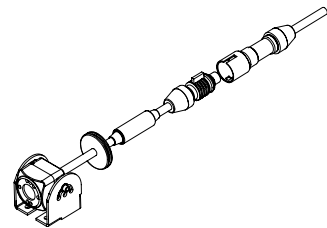


# Voyager<sup>®</sup>

## VCMS36I - Color Cylindrical Observation Camera

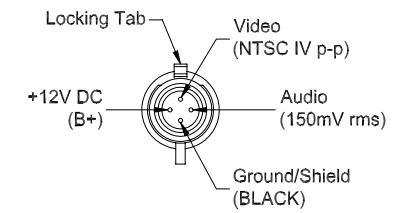


### Features:

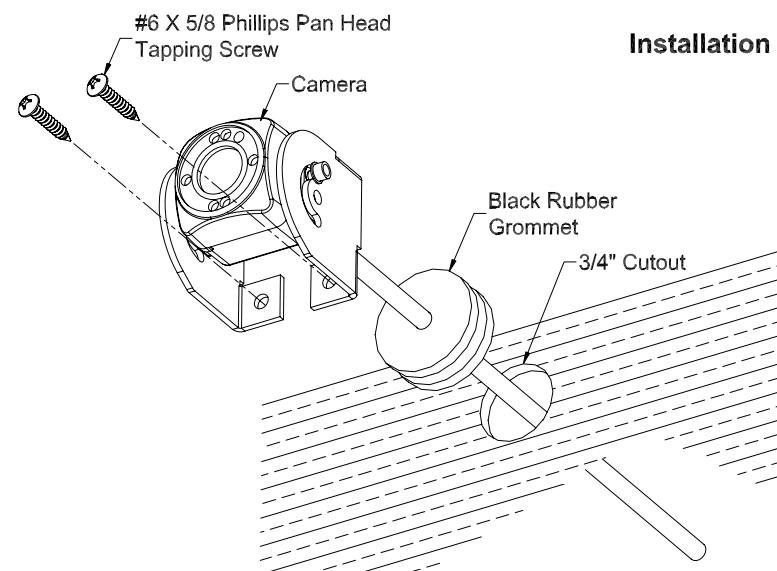
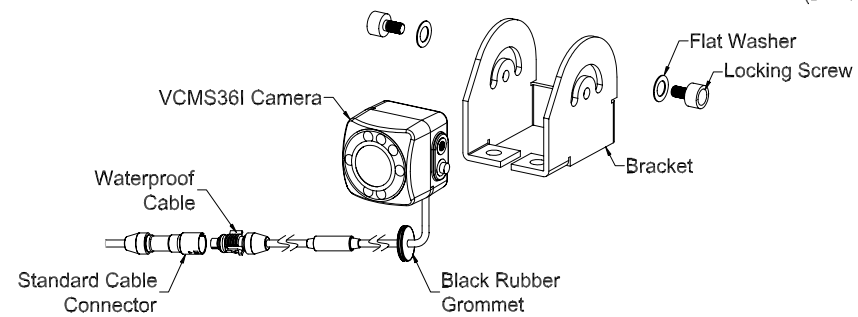
- High Resolution Color Camera
- IR LED Low Light Enhancement
- Lightweight/Rugged Aluminum Body.
- Waterproof (IPX7)
- Audio Microphone
- NTSC Signal

### Contents:

- Camera
- Mount Bracket
- Black Screws (2x)



### Installation and Pin Out:



### Specifications

Signal System	: NTSC
Image Sensor	: 1/4" Color C-MOS with automatic electronic iris
Resolution	: 400 Lines
Light Sensitivity	: 0 Lux
Power	: 12VDC / 100mA
Viewing Angle	: 118°(D), 95°(H), 77°(V)
Outer Dimensions	: 26.5(W) X 32(D) mm 1.04(W) X 1.26(D) Inch

\* Specifications are subject to change without notice.

## INFORMATION

This equipment has been tested and found to comply with the limits for a Class B digital device, pursuant to Part 15 of the FCC Rules. These limits are designed to provide reasonable protection against harmful interference in a residential installation. This equipment generates, uses and can radiate radio frequency energy and, if not installed and used in accordance with the instructions may cause harmful interference to radio communications. However, there is no guarantee that interference will not occur in a particular installation. If this equipment does cause harmful interference to radio or television reception, which can be determined by turning the equipment of and on, the user is encourage to try to correct the interference by one or more of the following measures:

- Reorient or relocate the receiving antenna
- Increase the separation between the equipment
- Connect the equipment into an outlet on different power circuit from the receiver
- Consult the dealer or an experienced radio/TV technician for help



[www.asaelectronics.com](http://www.asaelectronics.com)