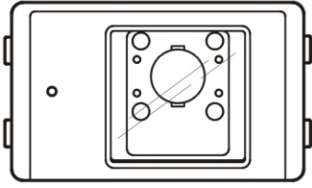


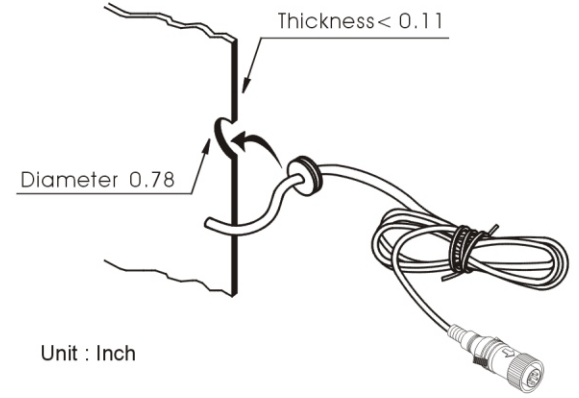
# Voyager®

## NTSC SYSTEM VCCT 130



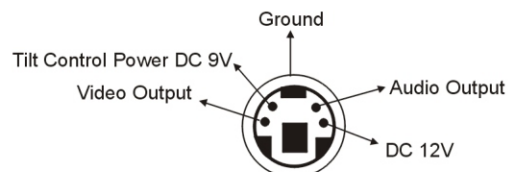
- VCCT130 Features:
- High Resolution, 1/3" CCD Adjustable Tilt Color Camera
  - Compact / Lightweight Aluminum Die Cast Body
  - Waterproof Design
  - Microphone
  - Motorized Adjustable Vertical Viewing Angle Control
  - Adjustable Mounting Angle
  - Wide Angle Lens
  - Aluminum Bracket and SS. Hardware included
  - IR LED Low Light Enhancement

### Recommended grommet Hole & Mtg. thickness

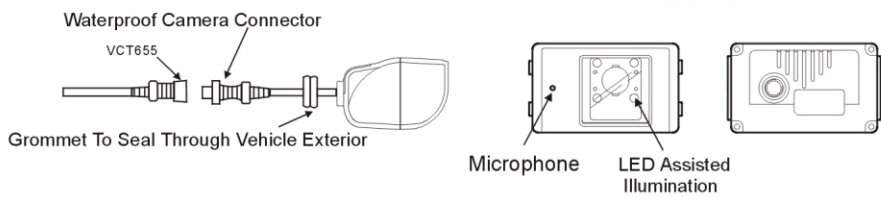


### Contents:

Camera  
Bracket  
Hardware Kit



### Installation and Pin Out:



### Camera to bracket hardware

| Specifications                                 | Q'ty |
|--|------|
| <br>Hex Socket Head M4X10L<br>Stainless screws | 4    |
| <br>Spring Washers<br>4X7X1.2mm Stainless      | 4    |
| <br>Flat Washers<br>4x10x.5mm Stainless        | 4    |
| <br>Allen wrench                               | 1    |

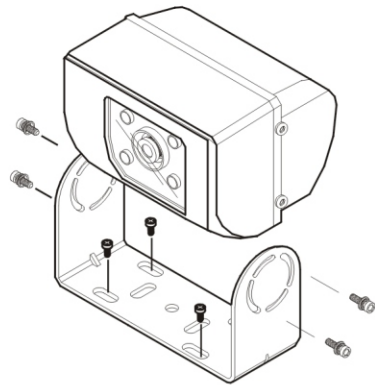
### Bracket to vehicle hardware

| Specifications                                      | Q'ty |
|---|------|
| <br>Tapping P/H W/Washer<br>5X16mm Stainless screws | 4    |
| <br>Machine Screw T/H<br>M5X16mm Stainless          | 4    |
| <br>Locking nuts M5 stainless                       | 4    |

### Installation

#### Screw For Use

- Hex Socket Head M4X10L Stainless screws
- Spring Washers 4X7X1.2mm Stainless
- Flat Washers 4x10x.5mm Stainless
- Allen wrench
- Tapping P/H W/Washer 5X16mm Stainless screws
- Machine Screw T/H M5X16mm Stainless
- Locking nuts M5 stainless

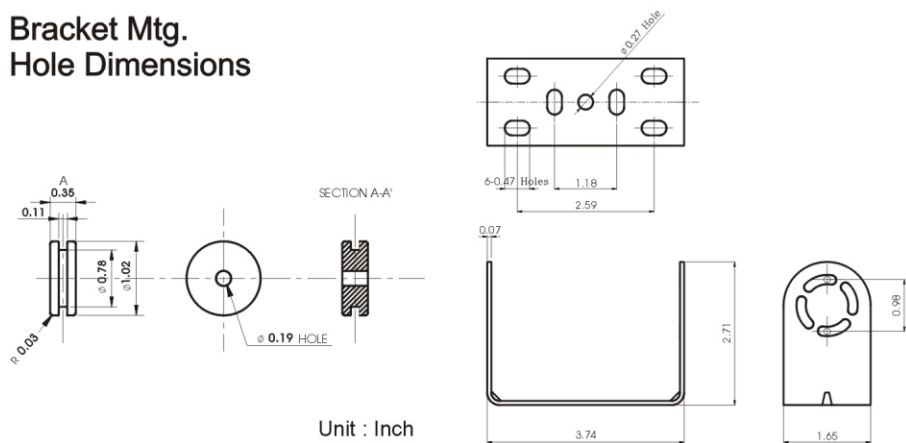


### Specifications

- Signal System : NTSC
- Image Sensor : 1/3" COLOR CCD W/electronic auto-iris  
320K pixels
- Viewing Angle : 71°(H), 53°(V), 92°(D)
- Outer Dimensions : 91 (W) X 53 (H) X 81 (D) mm  
3.6 (W) X 2.1 (H) X 3.2 (D) Inch
- Weight : 0.5kg/ 1.1lbs

\* Specifications are subject to change without notice.

### Bracket Mtg. Hole Dimensions



**ASA**  
AUDIOVOX SPECIALIZED APPLICATIONS, L.L.C.  
www.asaelectronics.com