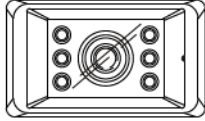


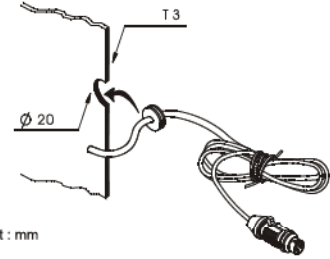
# Voyager®

## EIA SYSTEM VBCS150



- VBCS150 Features:
- High Resolution, 1/3" CCD B/W Camera
  - Compact / Lightweight Aluminum Die Cast Body
  - Waterproof Design
  - Microphone
  - Normal / Mirror Image switch
  - Adjustable Mounting Angle
  - Wide Angle Lens
  - Aluminum Bracket and SS. Hardware included
  - IR LED Low Light Enhancement

### Recommended grommet Hole & Mtg. thickness

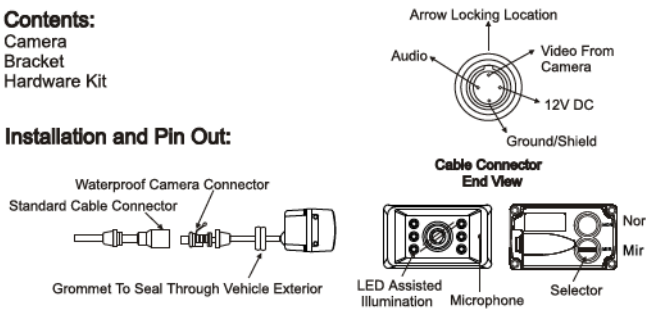


Unit : mm

### Contents:

Camera  
Bracket  
Hardware Kit

### Installation and Pin Out:



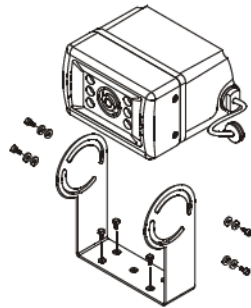
### Camera to bracket hardware

Specifications	Qty	Specifications	Qty
Hex Socket Head M4X10L Stainless screws	4	Tapping P/H W/Washer 5X16mm Stainless screws	4
Spring Washers 4X7X1.2mm Stainless	4	Machine Screw T/H M5X16mm Stainless	4
Flat Washers 4x10x.5mm Stainless	4	Locking nuts M5 stainless	4
Allen wrench	1		

### Installation

#### Screw For Use

Hex Socket Head M4X10L Stainless screws  
Spring Washers 4X7X1.2mm Stainless  
Flat Washers 4x10x.5mm Stainless  
Allen wrench  
Tapping P/H W/Washer 5X16mm Stainless screws  
Machine Screw T/H M5X16mm Stainless  
Locking nuts M5 stainless

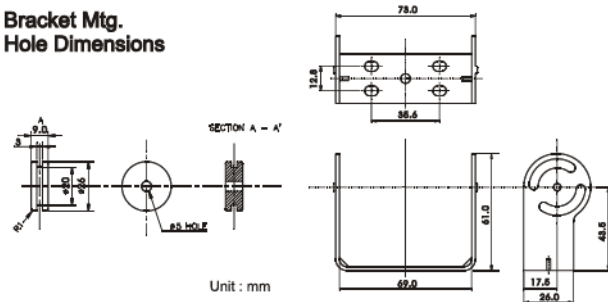


### Specifications

Signal System : EIA  
Image Sensor : 1/3" B/W CCD W/electronic auto-iris  
270K pixels  
Viewing Angle : 120°(H), 90°(V)  
Outer Dimensions : 68 (W) X 40 (H) X 64 (D) mm  
2.7 (W) X 1.6 (H) X 2.6 (D) Inch  
Weight : 0.3kg/ 0.6lbs

\* Specifications are subject to change without notice.

### Bracket Mtg. Hole Dimensions



Unit : mm

**ASA**  
AUDIOVOX SPECIALIZED APPLICATIONS, L.L.C.  
www.asaelectronics.com