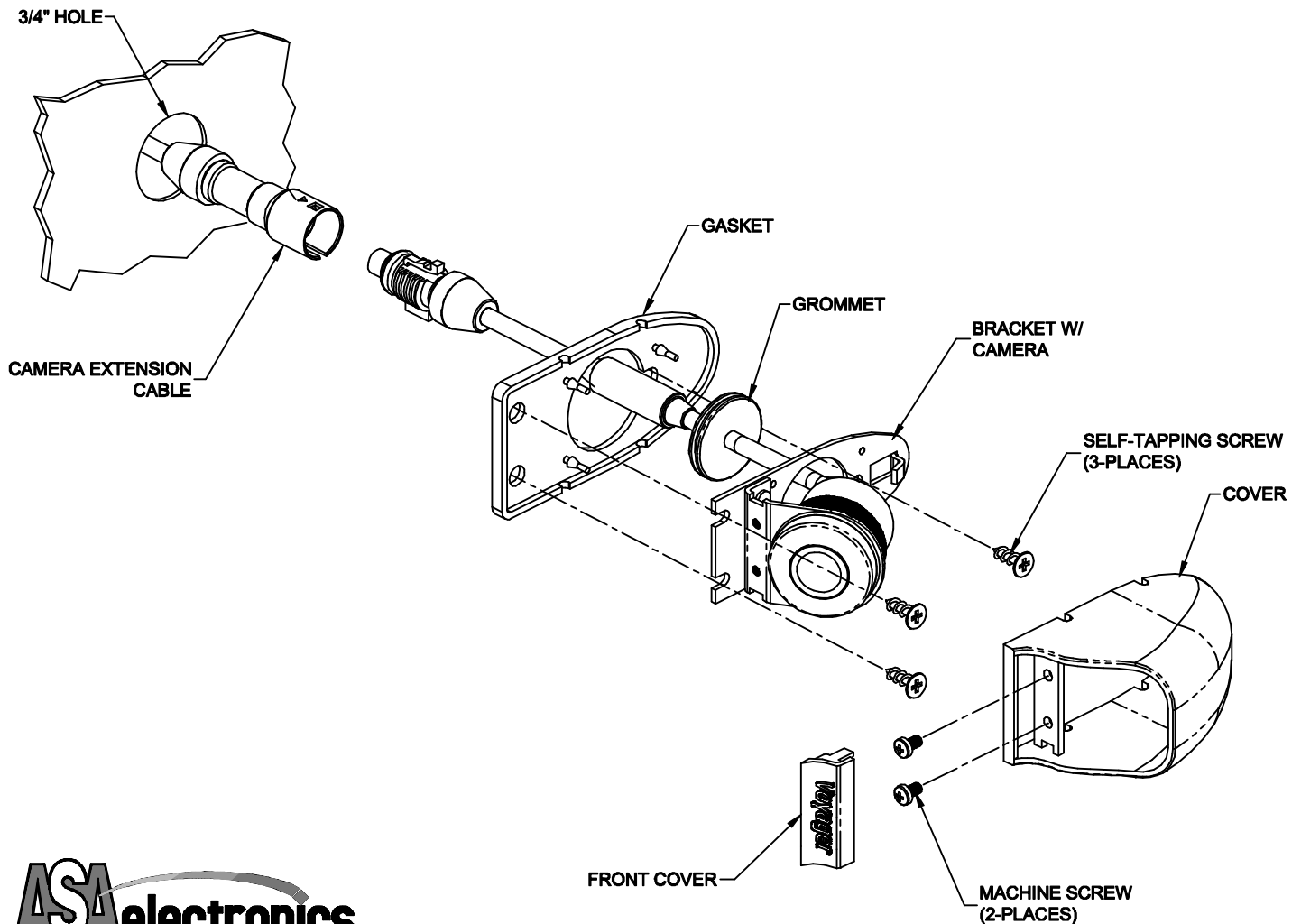
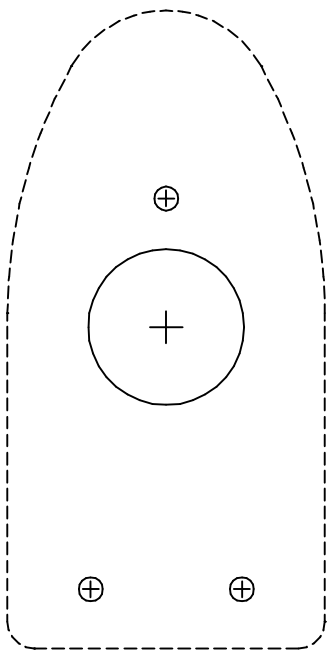


SIDE CAMERA INSTALLATION

- 1) Locate an area in the vehicle's wall which will permit mounting of the Side Camera. The area inside (behind) the wall must be free from obstructions such as Wall Braces, Wires, Brake or Fuel lines, or other impediments.
- 2) Tape Template to Chosen Mounting Location
- 3) Drill 3/4" Cable Clearance Hole and 1/16" Mounting Screw pilot holes
- 4) Install Gasket onto Metal Bracket
- 5) Place Metal Bracket over drilled hole
- 6) Align Camera Bracket in desired location and mount with three (3) screws.
- 7) Connect Camera to Chassis Harness and align prior to installing cover.
- 8) Place Cover onto Bracket and slide onto hook
- 9) Align Cover and install two (2) screws.
- 10) Push Front Cover over screws.





MOUNTING TEMPLATE